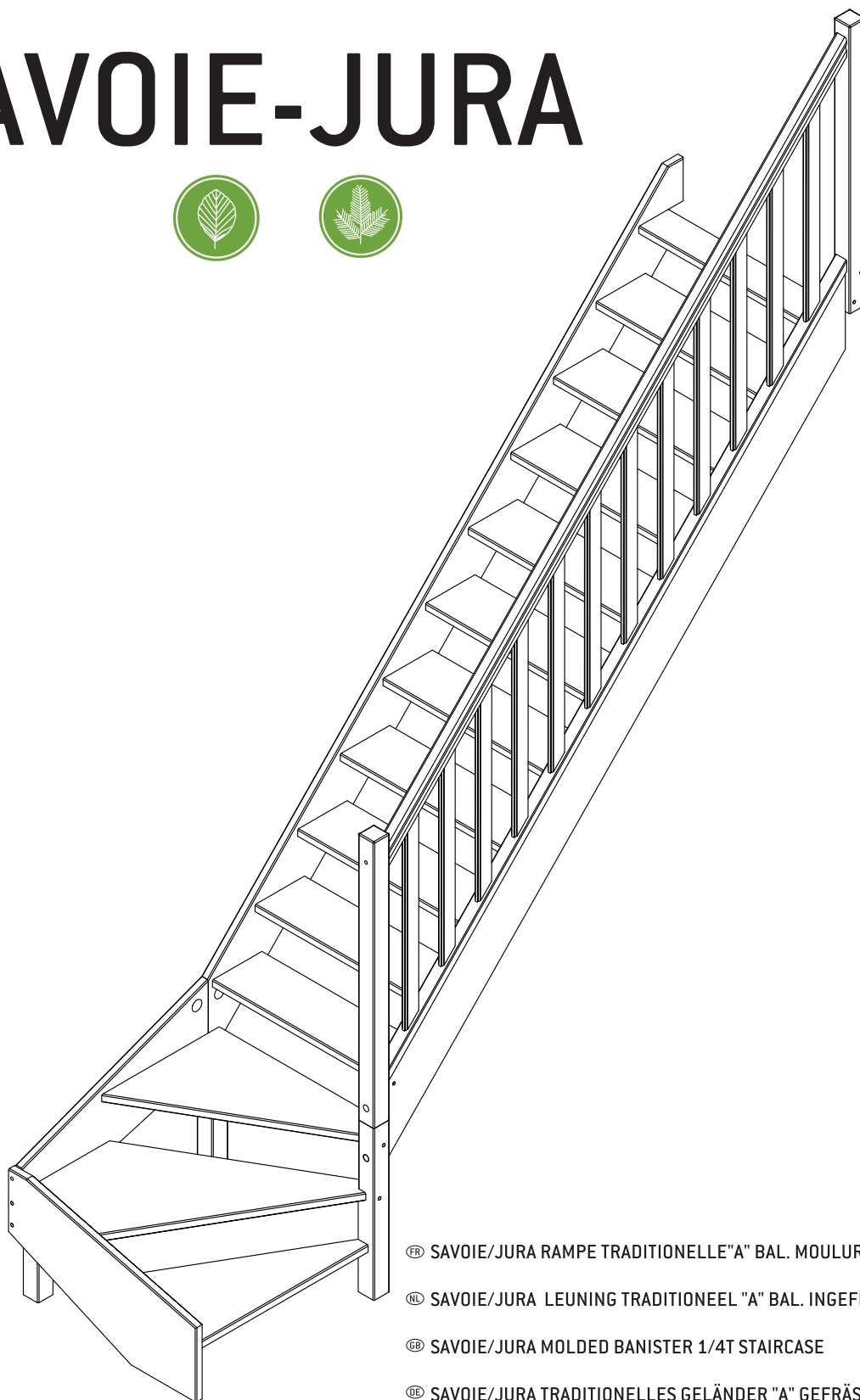


SAVOIE-JURA



FR SAVOIE/JURA RAMPE TRADITIONELLE "A" BAL. MOULUREES ESC. 1/4 TOURNANT

NL SAVOIE/JURA LEUNING TRADITIONEEL "A" BAL. INGEFREESD 1/4-SLAG

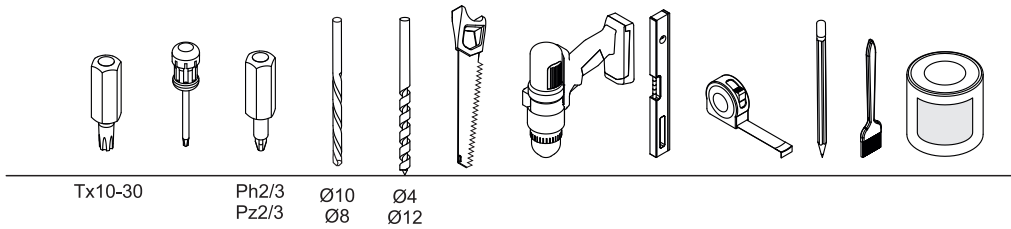
GB SAVOIE/JURA MOLDED BANISTER 1/4T STAIRCASE

DE SAVOIE/JURA TRADITIONELLES GELÄNDER "A" GEFRÄSTE STÄBE GEWENDELTE TREPPE

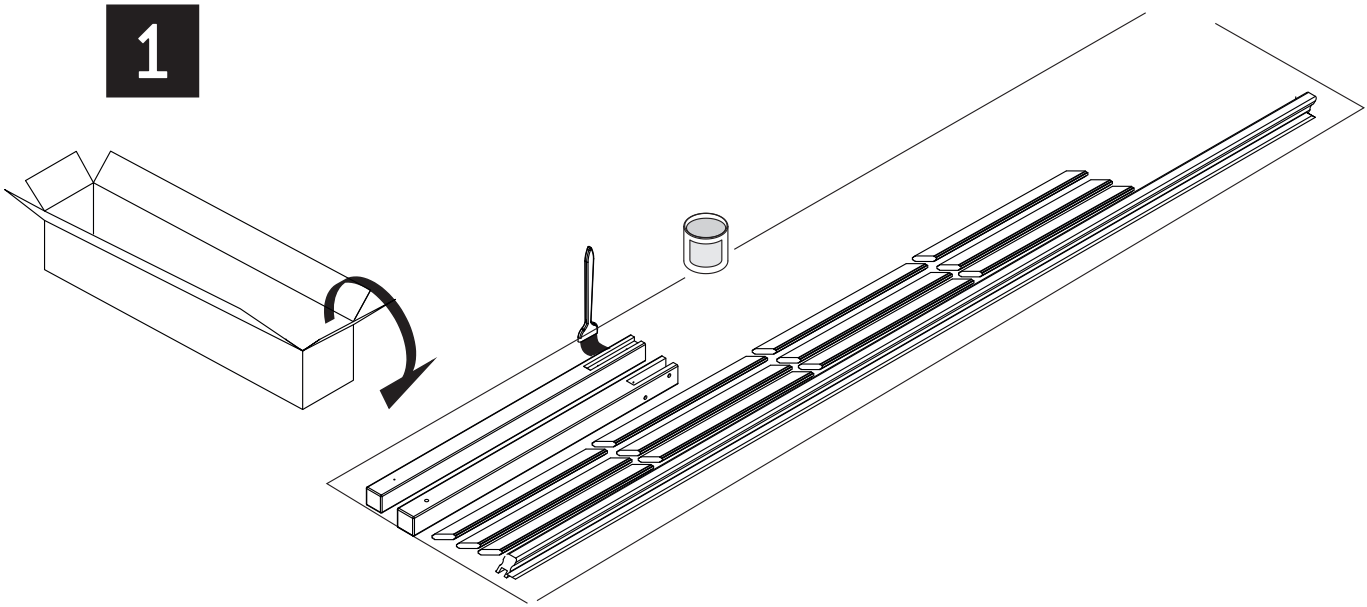
ES SAVOIE/JURA BARANDILLA TRADICIONAL "A" BALAUSTRÉS MOLDURADOS ESC. 1/4 DE GIRO

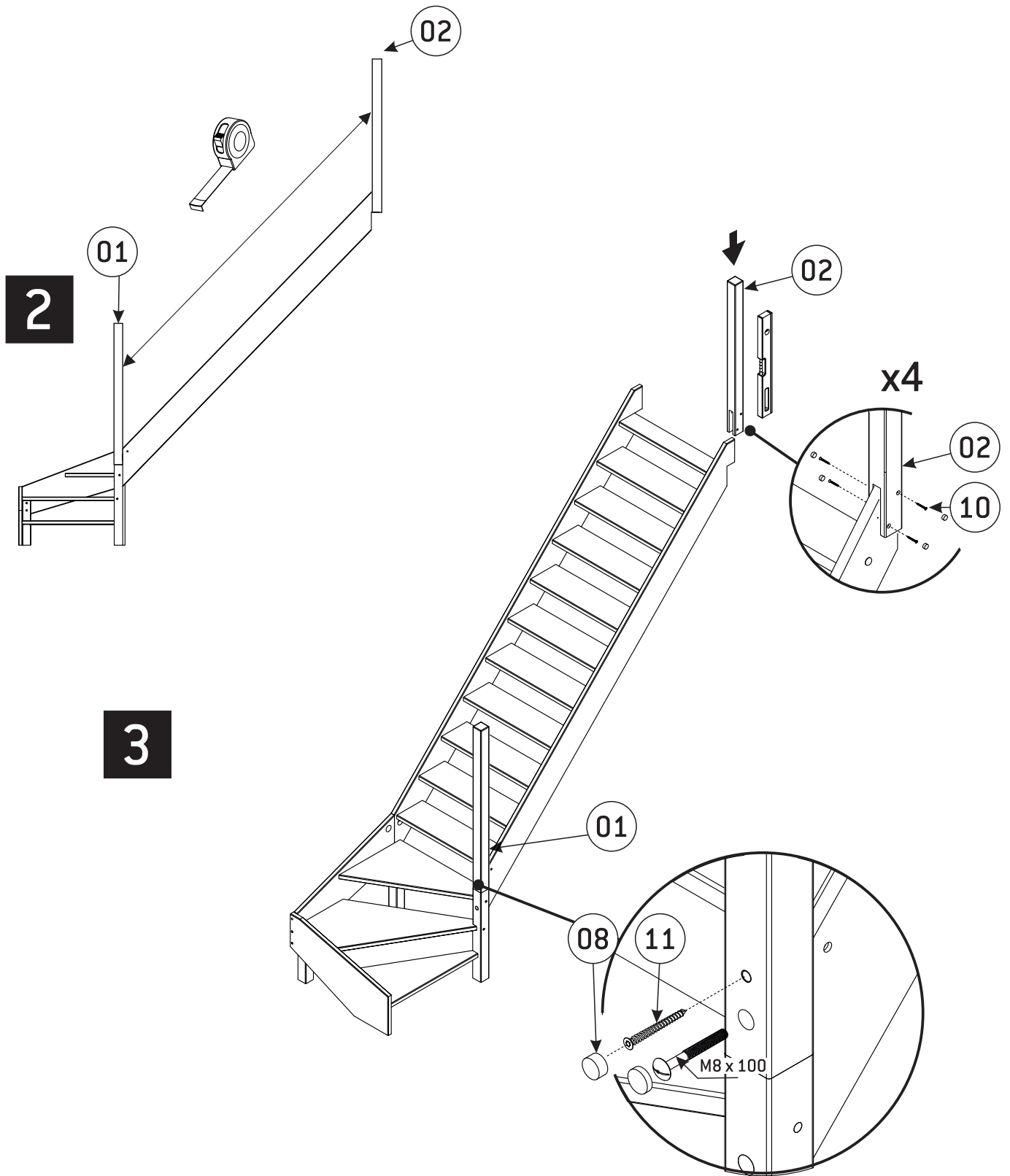
RO SAVOIE/JURA RAMPA FREZATA SCARA 1/4 T JOS

01 70x70x1105 mm x1 	02 70x70x1109 mm x1 	03 25x62x850mm x12 	04 50x50x3150mm x1 	05 32x54x3150 x1 	06 26x16x3150mm x1 	07 45x25x176.49mm x2 	09 04x45mm x3+2 	11 05x60 mm x3+2
						08 012x6mm x6+2 	10 04x40 mm x43+2 	

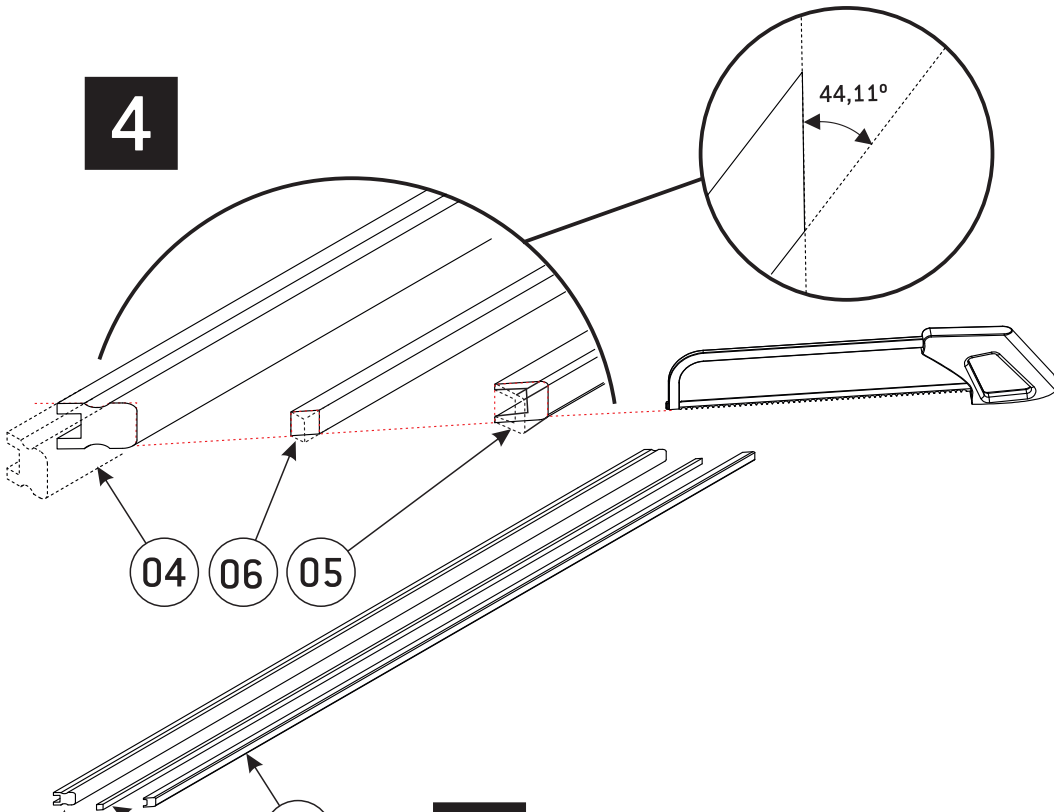


1

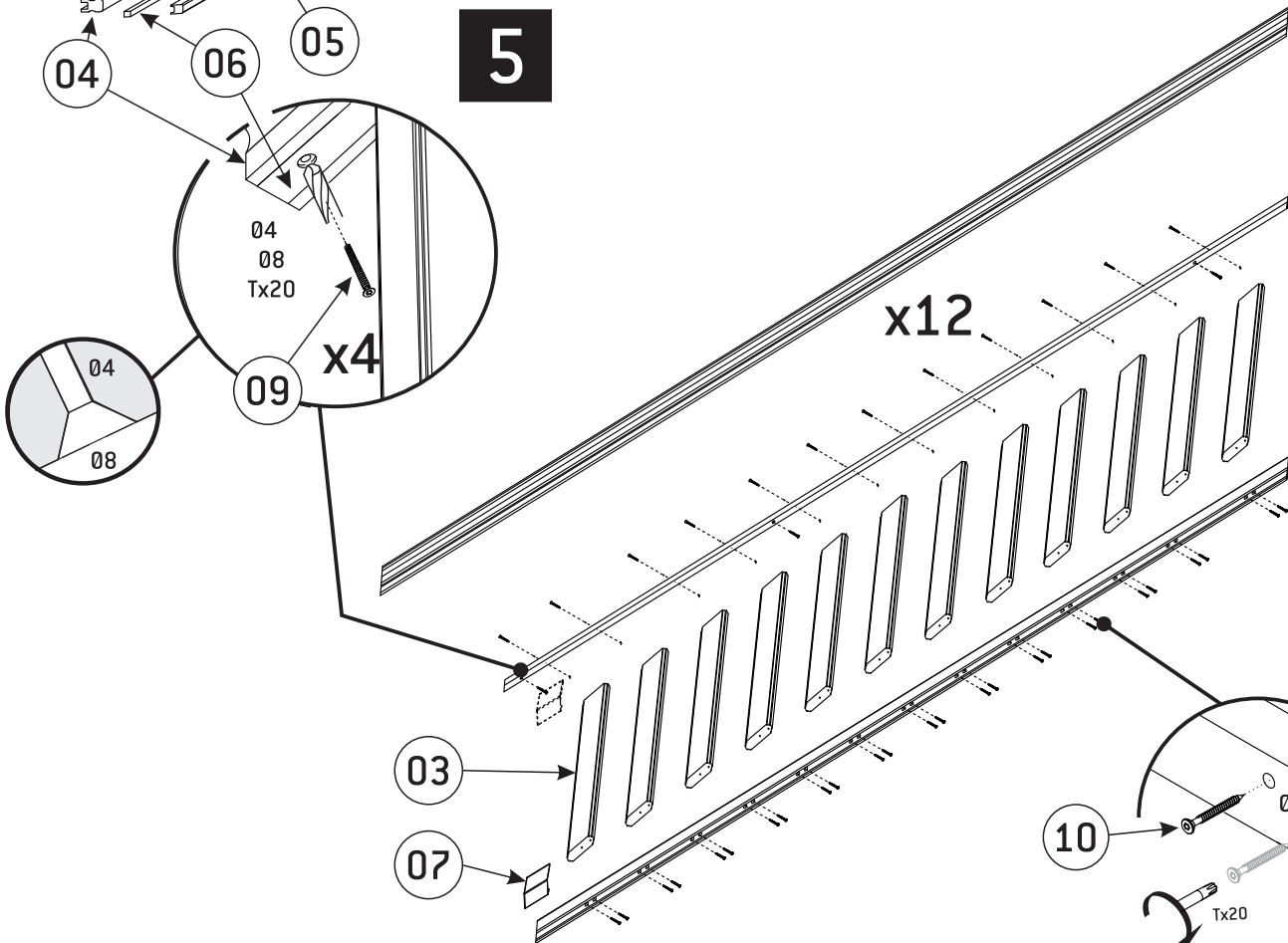




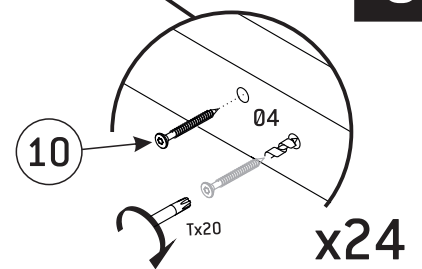
4



5

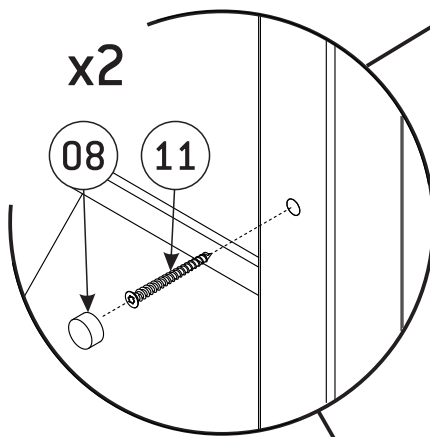
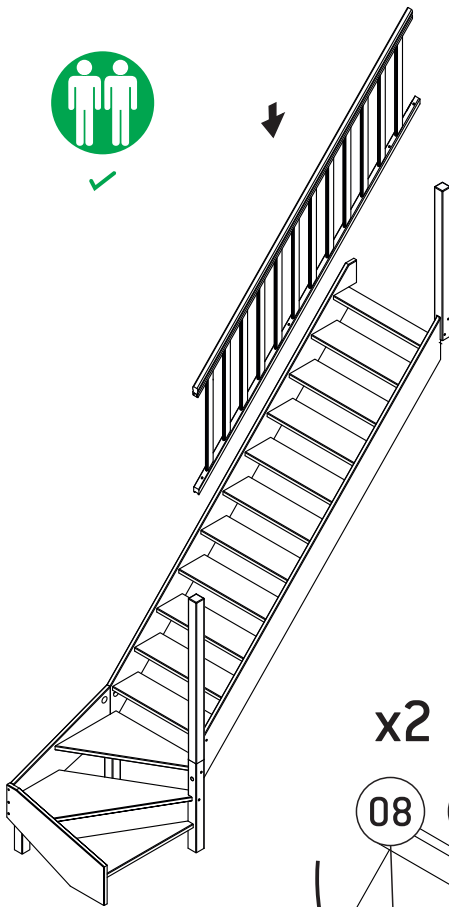


6

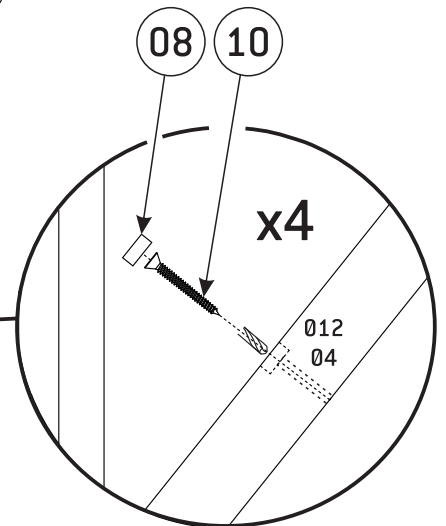
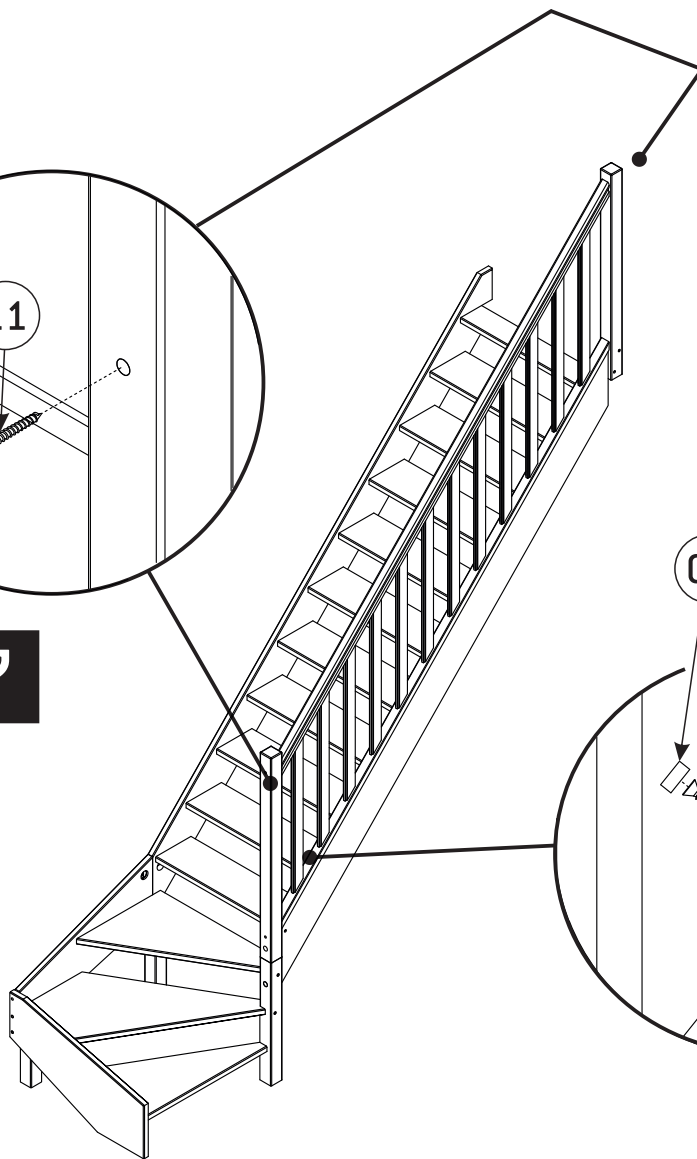




6



7



RUE GRIMARD, 39 B-6061 MONTIGNIES-SUR-SAMBRE (CHARLEROI) - BELGIUM
 TEL: +32/71/25.39.60 FAX: +32/71/25.39.72 E-MAIL: info@sogem-sa.com