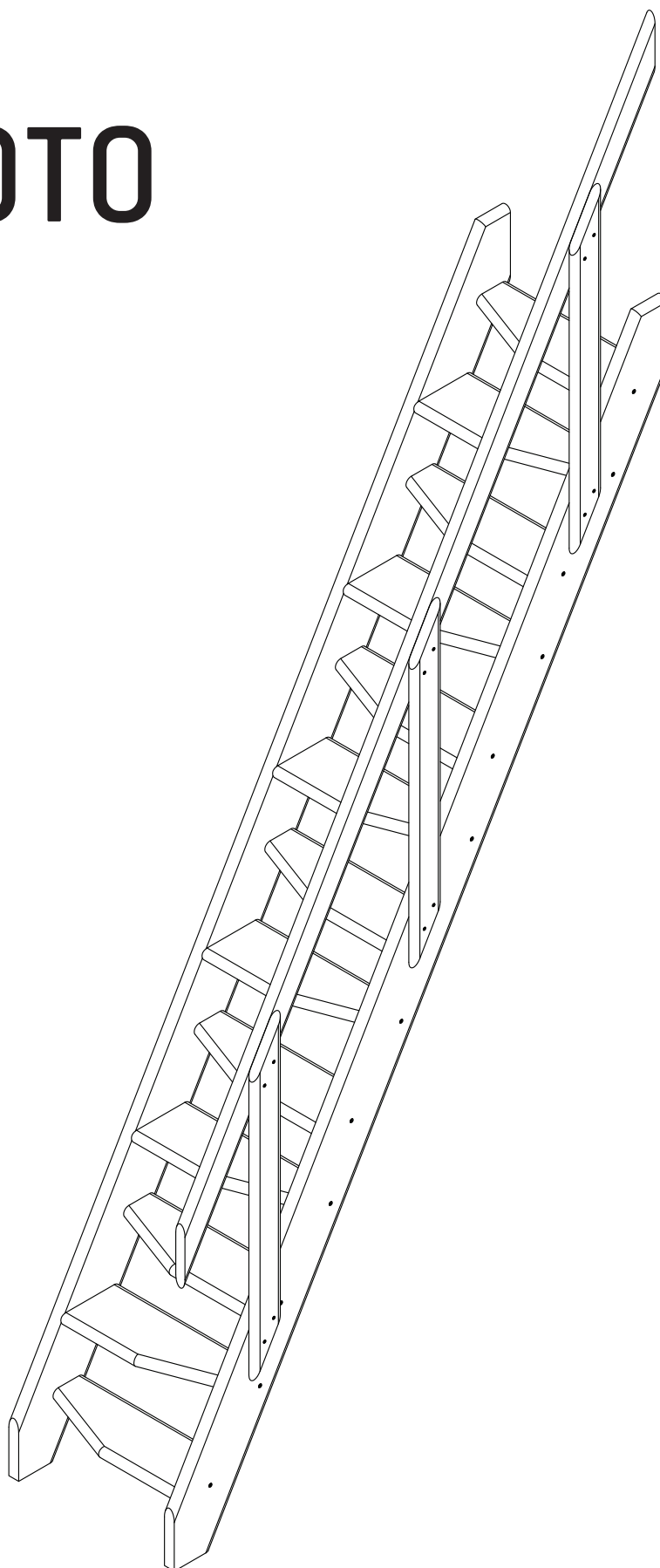
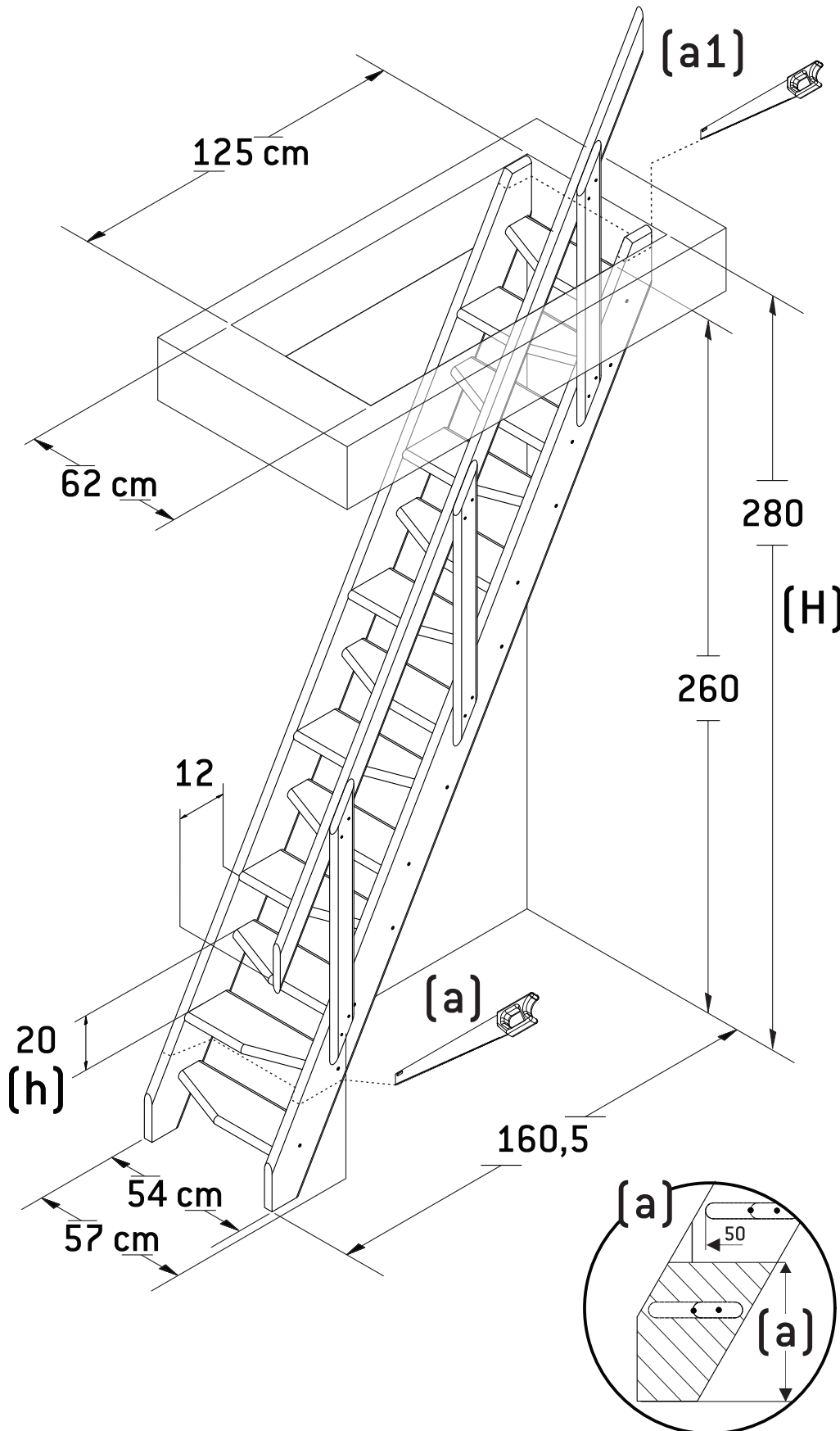


# KYOTO

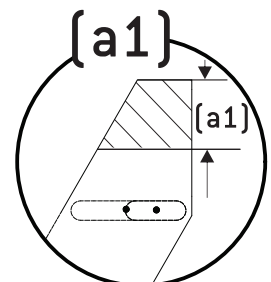
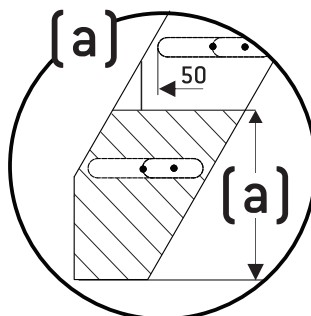




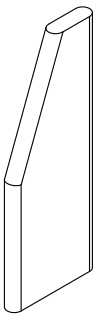


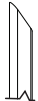
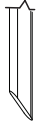
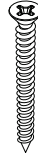
- Ⓡ KYOTO ESCALIER
- Ⓡ KYOTO TRAP
- Ⓡ KYOTO STAIRCASE
- Ⓡ KYOTO OSAKA
- Ⓡ KYOTO ESCALERA
- Ⓡ KYOTO SCARA



12 (h)	230	50	0
	231	49	0
	232	48	0
	233	47	0
	234	46	0
	235	45	0
	236	44	0
	237	43	0
	238	42	0
	239	41	0
	240	40	0
13 (h)	241	30	9
	242	30	8
	243	30	7
	244	30	6
	245	30	5
	246	30	4
	247	30	3
	248	30	2
	249	30	1
	250	30	0
	251	29	0
	252	28	0
	253	27	0
	254	26	0
	255	25	0
	256	24	0
	257	23	0
	258	22	0
	259	21	0
	260	20	0
14 (h)	261	10	9
	262	10	8
	263	10	7
	264	10	6
	266	10	4
	267	10	3
	268	10	2
	269	10	1
	270	10	0
	271	9	0
	272	8	0
	273	7	0
	274	6	0
	275	5	0
	276	4	0
	277	3	0
	278	2	0
	279	1	0
	280	0	0

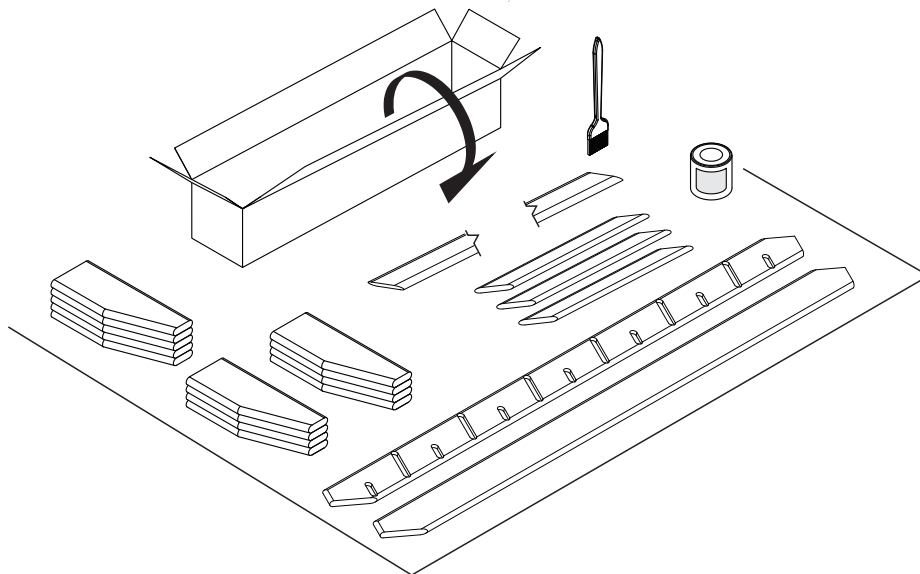
(H) (a) (a1)






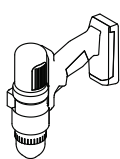

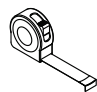



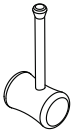

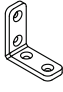





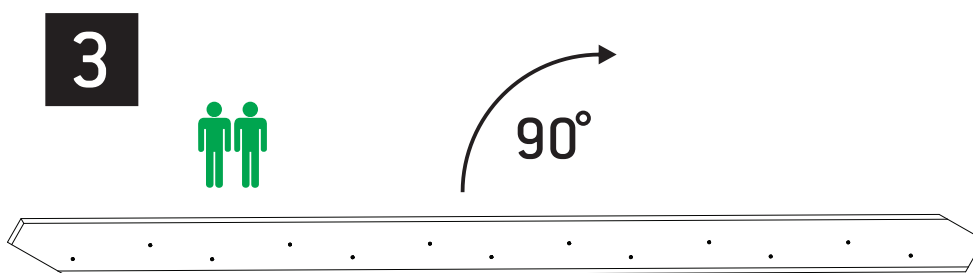
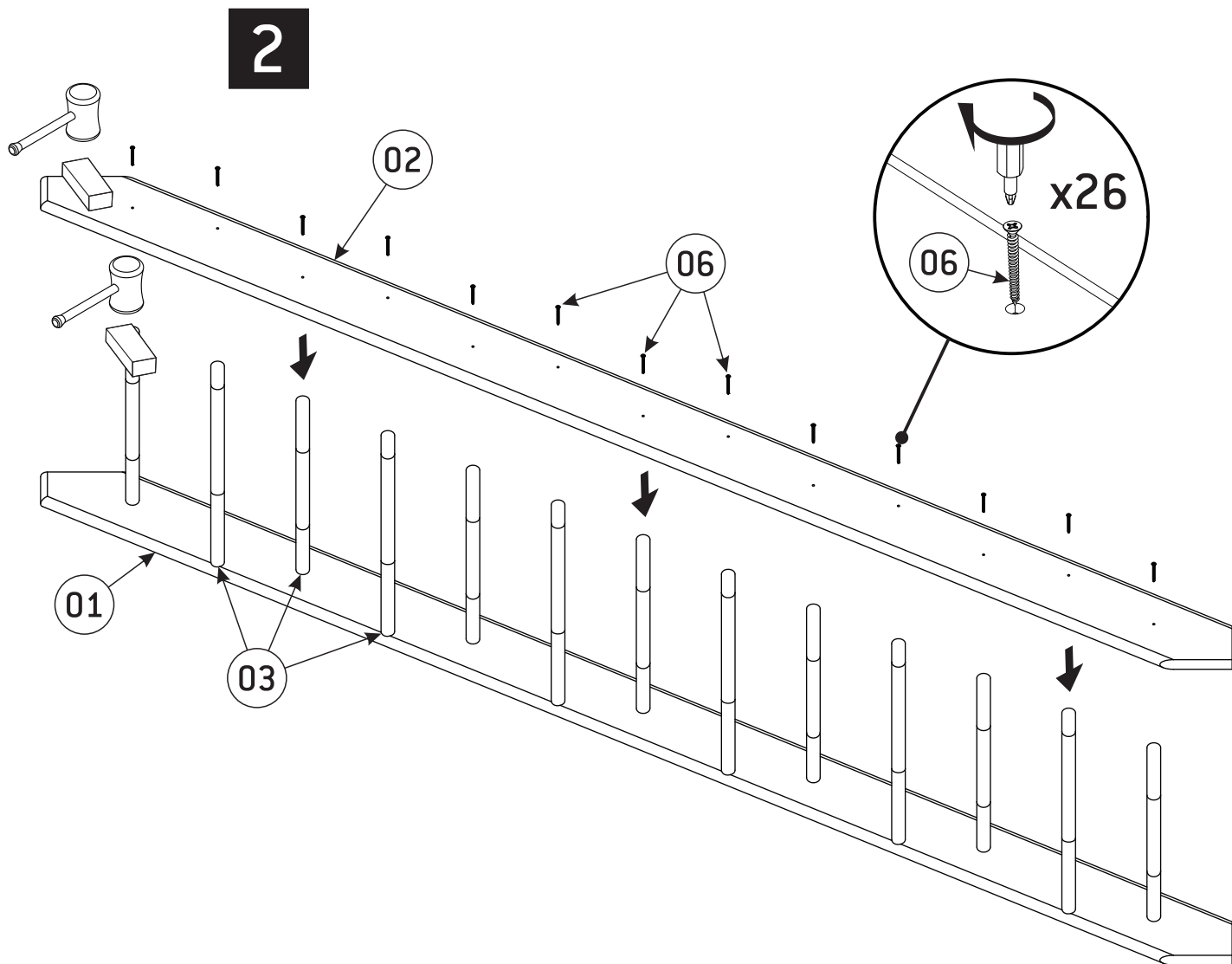
<b>01</b> 32x190x3228 x1 	<b>02</b> 32x190x3228 x1 	<b>03</b> 32x190x510 x13 	<b>04</b> 30x90x1000 x3 	<b>06</b> 05x60 x26 +2 
			<b>05</b> 30x90x3204 x1  	<b>07</b> 04x50 x12 +1 



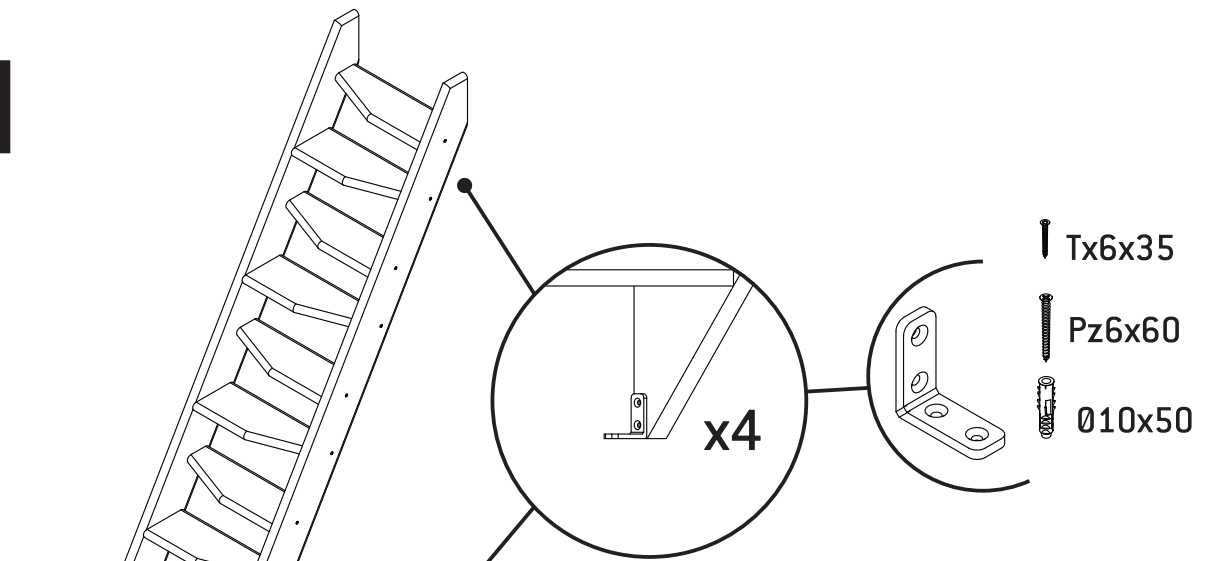
**1**



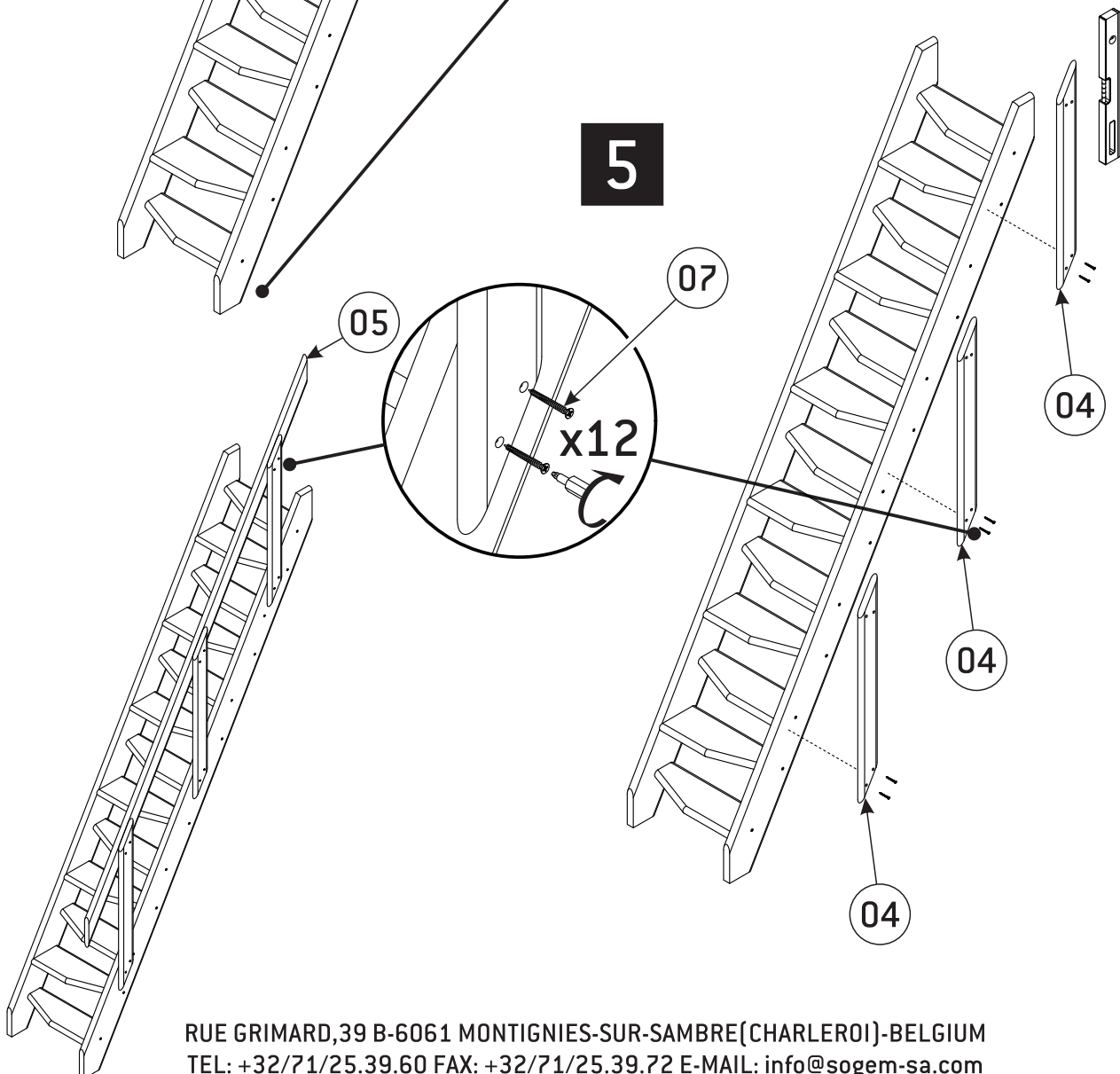
-  Tx10-30
-  Ph2/3
-  Pz2/3
-  Ø12
-  Ø16
- 
- 
- 
- 
- 
- 
- 
- 
- 
-  Tx6x35
-  Pz6x60
-  Ø10x50



4



5



RUE GRIMARD, 39 B-6061 MONTIGNIES-SUR-SAMBRE (CHARLEROI) - BELGIUM  
 TEL: +32/71/25.39.60 FAX: +32/71/25.39.72 E-MAIL: info@sogem-sa.com